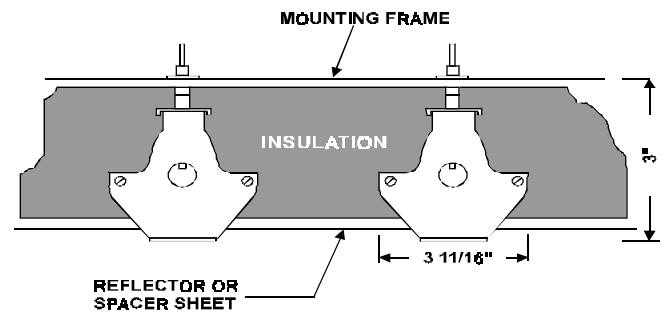
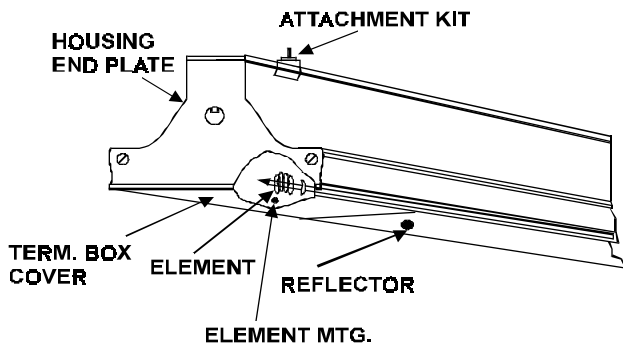
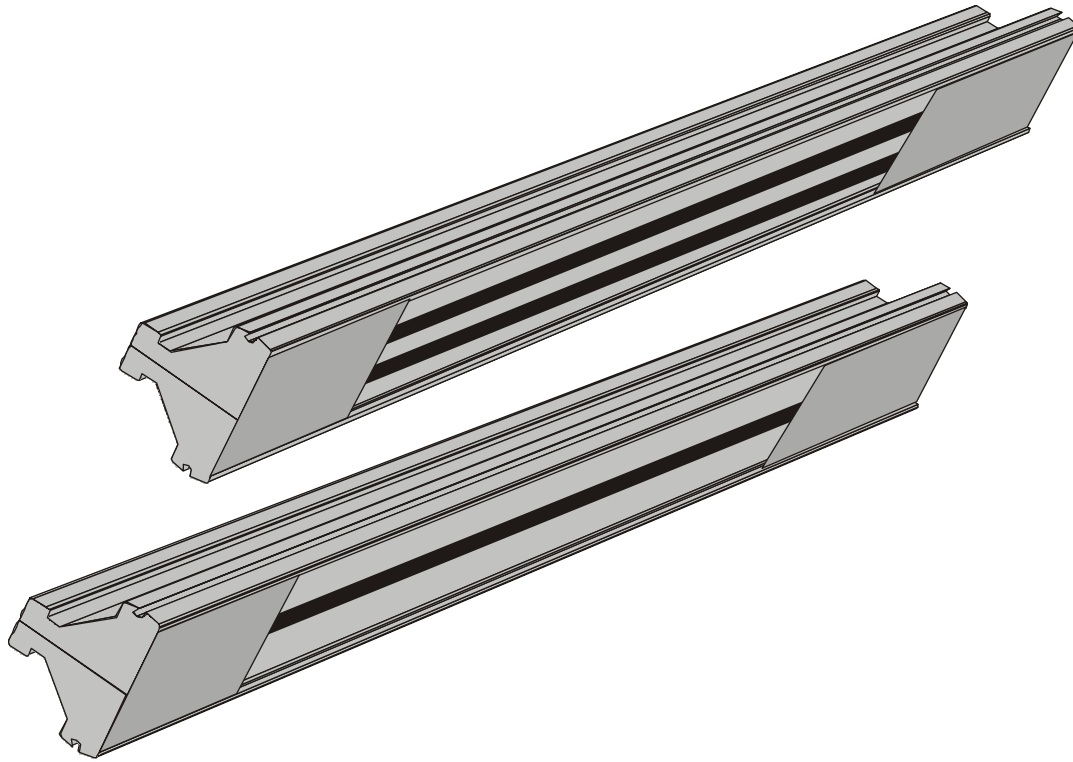


## TUBULAR RADIANT HEATERS



### APPLICATIONS

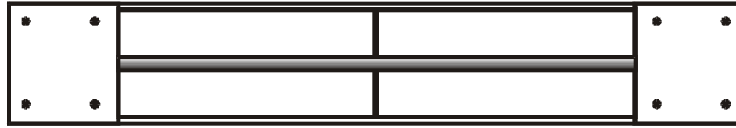
MORHEAT series TR infrared radiant heaters are primarily designed for industrial applications such as:

- Conveyorized or batch type ovens
- Degreasing
- Weld preheating
- Roll heating
- Curing, drying, softening of resins and plastics Baking, drying, curing of paint, lacquers and adhesives
- Defrosting soil prior to pouring concrete
- Curing concrete in winter construction
- Thawing ore and coal in railroad cars for easier dumping.

### FEATURES

Available with a choice of single or dual incoloy tubular elements, quartz tubes, or quartz lamps. Anodized and chemically brightened extruded aluminum reflector. Custom mounting frames and carts to suit individual requirements can be provided upon request (check factory). For wiring, use standard 200°C supply wires.

**STANDARD HEATERS**



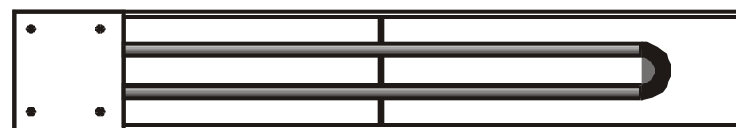
**SINGLE STRAIGHT ELEMENT**

OVERALL LENGTH (in)	HEATED LENGTH (mm)	VOLTS	WATTS (kW)	PART #
29	20	120,208,240	.95	TR-20-.95
41	32	120,208,240	1.5	TR-32-1.5
41	32	208,240,600	2.0	TR-32-2.0
47	38	120,208,240	1.9	TR-38-1.9
47	38	208,240,600	2.3	TR-38-2.3
59	50	208,240,600	3.0	TR-50-3.0
71	52	208,240,600	3.8	TR-62-3.8



**DOUBLE ELEMENT**

OVERALL LENGTH (in)	HEATED LENGTH (mm)	VOLTS	WATTS (kW)	PART #
29	20	208,240,600	1.8	TRR-20-1.8
41	32	208,240,600	3.2	TRR-32-3.2
47	38	208,240,600	3.8	TRR-38-3.8
59	50	208,240,600	5.0	TRR-50-5.0
71	52	208,240,600	6.2	TRR-62-6.2



**SINGLE HAIRPIN ELEMENT**

OVERALL LENGTH (in)	HEATED LENGTH (mm)	VOLTS	WATTS (kW)	PART #
18	12	208,240,600	1.1	TRH-12-.95
23	17	208,240,600	1.6	TRH-17-1.5
29	23	208,240,600	2.1	TRH-23-2.0
33	27	208,240,600	2.5	TRH-27-1.9
38	32	208,240,600	3.0	TRH-32-2.3
45	39	208,240,600	3.6	TRH-39-3.0
51	45	208,240,600	4.2	TRH-45-3.8
63	57	208,240,600	5.3	TRH-57-5.3
75	69	208,240,600	6.5	TRH-69-6.5