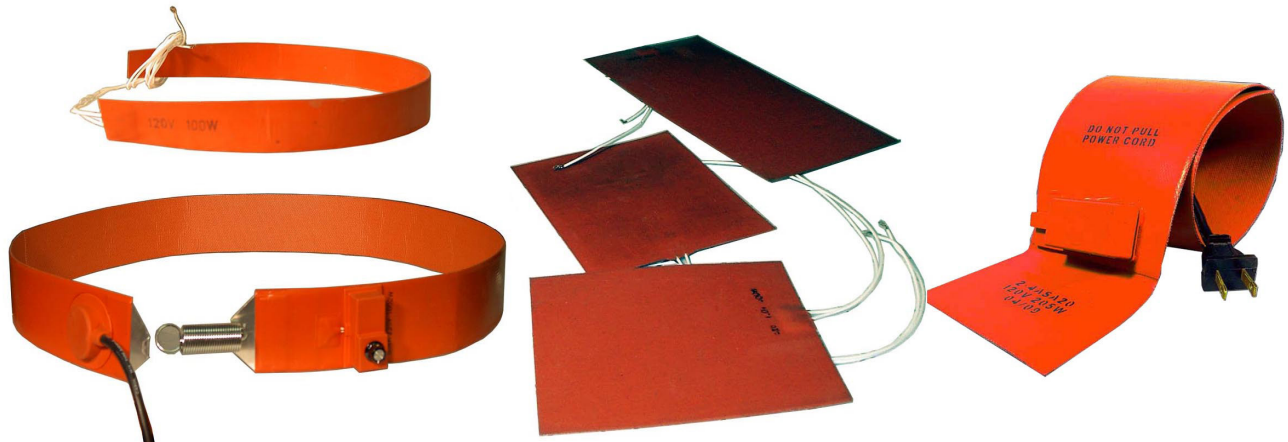


# SILICONE RUBBER HEATERS



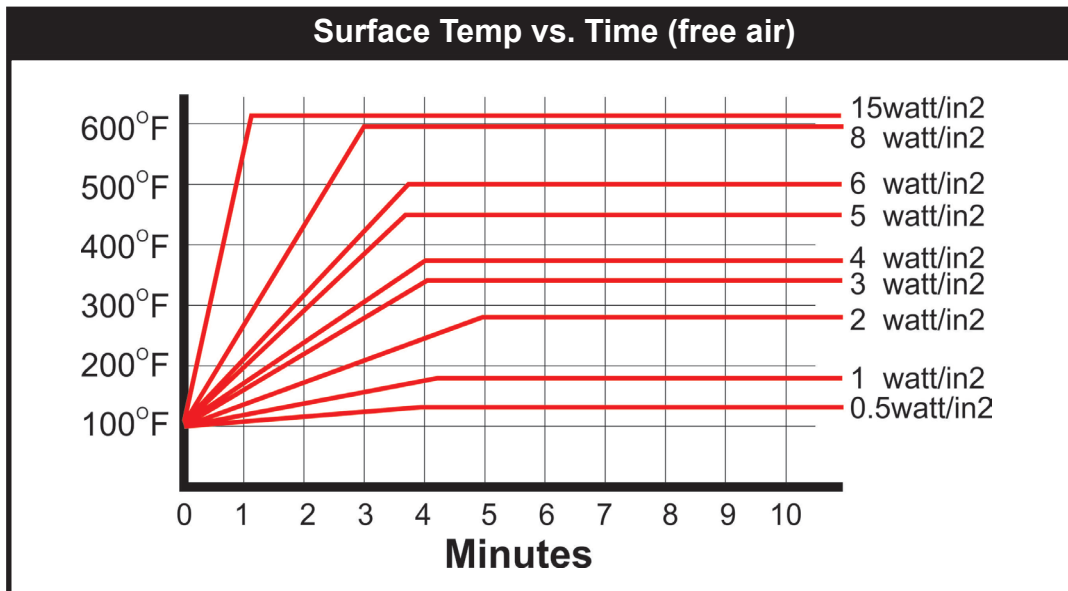
**APPLICATIONS**

- CONDENSATION PROTECTION
- PIPE HEATING
- FREEZE PROTECTION
- HEATED PLATENS
- AEROSPACE INDUSTRY
- COMPOSITE CURING
- FOOD SERVICE
- IRREGULAR SHAPES

**SPECIFICATIONS**

- VOLTAGE:** 12V to 480V (AC/DC)
- LENGTH:** 1" to 120"
- WIDTH:** 1" to 36"
- THICKNESS:** 0.060" (standard)
- LEAD WIRES:** 22awg Teflon (standard)
- OPER. TEMP.:** -70 to 450F
- WATTAGE TOLERANCE:** +5%, -10%

Max Operating Temp (Watt/in2)	
Watt Density (watt/in2)	PSA (press. sensitive adhesive)
5 watt/in2	335-350°F
10 watt/in2	248-335°F
15 watt/in2	140-248°F
20watt/in2	32-148°F
25 watt/in2	32-49°F



## TEMPERATURE CONTROLS

MPI Silicone Rubber Heaters can accommodate pre-set or adjustable thermostats, thermal cut-offs or thermocouples.

The most common type of temperature control is a pre-set thermostat. They can be set to either measure the part temperature or the surrounding air.

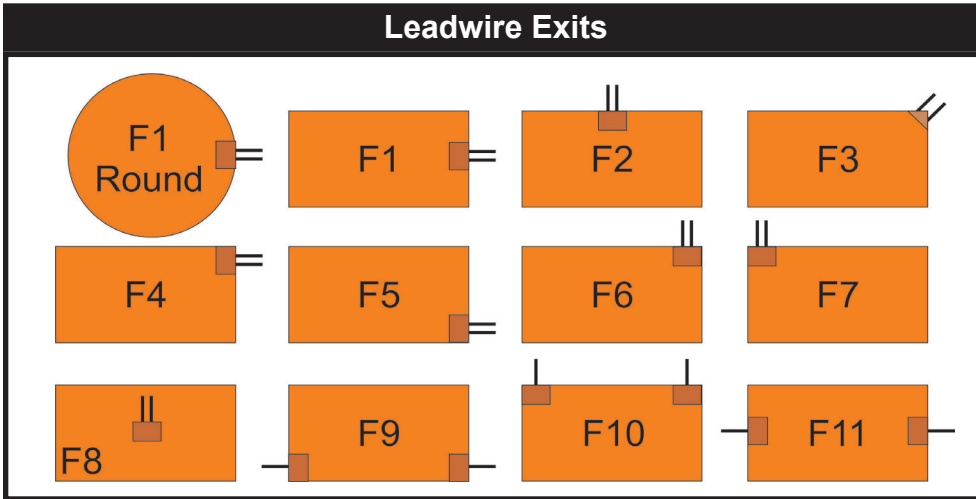
Temperature Sensors	
Type	Temperature Range
Thermocouple J	max 600°F
Thermocouple K	max 600°F
PT100 RTD	max 600°F



Standard Thermostats	
Type	Switching Range
45°F(pre-set)	on 35°F, off 55°F
95°F(pre-set)	on 80°F, off 110°F
160°F(pre-set)	on 145°F, off 175°F
185°F(pre-set)	on 170°F, off 200°F
285°F(pre-set)	on 270°F, off 300°F
Adjustable	on 35°F, off 55°F
Rating (all above)	240VAC, 10A 120VAC, 14A

## LEADWIRE OPTIONS

### Leadwire Exits



Leadwire Types	
Material	Rating
Teflon	22awg, 300V, 250°C/482°F
SJO Cable	22awg, 300V, 90°C/194°F
Silicone	22awg, 300V, 150°C/302°F

## STOCK - Silicone Rubber Heaters (standard 39"teflon (1meter) leads)

Width(in)	Length(in)	Watts	120V	240V
1	3	15	SRW010-030A	
1	4	20	SRW010-040A	
1	5	25	SRW010-050A	
1	10	50	SRW010-100A	SRW010-100B
1	15	75	SRW010-150A	SRW010-150B
1	20	100	SRW010-200A	SRW010-200B
1	25	125	SRW010-250A	SRW010-250B
1	30	150	SRW010-300A	SRW010-300B
1	35	175	SRW010-350A	SRW010-350B
1	40	200	SRW010-400A	SRW010-400B
1	80	400	SRW010-800A	
2	2	20	SRW020-020A	
2	5	50	SRW020-050A	SRW020-050B
2	10	100	SRW020-100A	SRW020-100B
2	15	150	SRW020-150A	SRW020-150B
2	20	200	SRW020-200A	SRW020-200B
2	25	250	SRW020-250A	SRW020-250C
2	30	300	SRW020-300A	SRW020-300F
2	35	350	SRW020-350A	
2	40	400	SRW020-400A	
3	3	45	SRW030-030A	
3	5	75	SRW030-050A	SRW030-050B
3	10	150	SRW030-100A	SRW030-100B
3	15	225	SRW030-150A	SRW030-150B
3	20	300	SRW030-200A	SRW030-200B
3	25	375	SRW030-250A	
3	30	450	SRW030-300A	SRW030-300C

Width(in)	Length(in)	Watts	120V	240V
3	35	525	SRW030-325A	
3	40	600	SRW030-400A	SRW030-400D
4	4	80	SRW040-040A	
4	5	100	SRW040-050A	SRW040-050B
4	10	200	SRW040-100A	SRW040-100B
4	15	300	SRW040-150A	SRW040-150B
4	20	400	SRW040-200A	SRW040-200B
4	25	500	SRW040-250A	SRW040-250E
4	30	600	SRW040-300A	SRW040-300C
4	35	700	SRW040-350A	SRW040-350C
4	40	800	SRW040-400A	
5	5	125	SRW050-050A	SRW050-050B
5	10	250	SRW050-100A	SRW050-100B
5	15	375	SRW050-150A	SRW050-150B
5	20	500	SRW050-200A	SRW050-200B
5	25	625	SRW050-250A	SRW050-250C
5	30	750	SRW050-300A	SRW050-300E
5	35	875	SRW050-350A	SRW050-350C
5	40	1000	SRW050-400A	SRW050-400C
6	5	150	SRW060-050A	SRW060-050B
6	10	300	SRW060-100A	SRW060-100B
6	15	450	SRW060-150A	SRW060-150B
6	20	600	SRW060-200A	SRW060-200B
6	25	750	SRW060-250A	
6	30	900	SRW060-300A	
6	35	1050	SRW060-350A	SRW060-350D
6	40	1200	SRW060-400A	SRW060-400D