

## MLB - ROD STYLE WITH BALL JOINTS

### MLB - ROD STYLE WITH BALL JOINTS



### STANDARD FEATURES

**50 to 750mm STROKE**  
**OUTPUT - 5kOHM, 10KOHM (above 600mm)**  
**LINEARITY +/-0.05%**  
**INFINITE RESOLUTION**  
**CONNECTOR - 4 PIN**  
**DISPLACEMENTSPEED - 5m/s**  
**OPERATING TEMP - 0-100°C**  
**IP65**

### SPECIFICATIONS

|                       |                             |
|-----------------------|-----------------------------|
| LINEARITY             | 0.05%                       |
| MAX VOLTAGE           | 60V                         |
| PROTECTION            | IP65                        |
| INSULATION RESISTANCE | >500V                       |
| MAX DISPLACE SPEED    | 5m/s                        |
| LIFE                  | >100x10 <sup>6</sup> Cycles |
| CASE MATERIAL         | Anodized Aluminium, Nylon   |
| CONTROL ROD           | Stainless Steel             |
| RESISTANCE ELEMENT    | Conductive Plastic          |
| MECH MOUNTING         | Ball Joints                 |

### MECHANICAL/ELECTRICAL DATA

| MODEL                      |    | 50                              | 75   | 100  | 130  | 150  | 175  | 200  | 225  | 250  | 275  | 300  | 350  | 375  | 400  | 425  | 450  | 500  | 550  | 600  | 650  | 700  | 750  | 800  | 900  |
|----------------------------|----|---------------------------------|------|------|------|------|------|------|------|------|------|------|------|------|------|------|------|------|------|------|------|------|------|------|------|
| TOTAL ELECTRICAL TRAVEL    | mm | 53                              | 78   | 103  | 133  | 153  | 178  | 204  | 229  | 254  | 279  | 304  | 354  | 380  | 406  | 432  | 457  | 508  | 558  | 609  | 659  | 710  | 762  | 812  | 914  |
| ACTIVE ELECTRICAL TRAVEL   | mm | 51                              | 76   | 101  | 131  | 151  | 176  | 202  | 227  | 252  | 277  | 302  | 352  | 378  | 404  | 430  | 455  | 506  | 556  | 607  | 657  | 708  | 760  | 810  | 912  |
| RESISTANCE .20%            | k  | 5                               | 5    | 5    | 5    | 5    | 5    | 5    | 5    | 5    | 5    | 5    | 5    | 5    | 5    | 5    | 5    | 5    | 5    | 5    | 10   | 10   | 10   | 10   | 10   |
| INDEPENDENT LINEARITY      | %  | 0.05                            | 0.05 | 0.05 | 0.05 | 0.05 | 0.05 | 0.05 | 0.05 | 0.05 | 0.05 | 0.05 | 0.05 | 0.05 | 0.05 | 0.05 | 0.05 | 0.05 | 0.05 | 0.05 | 0.05 | 0.05 | 0.05 | 0.05 | 0.05 |
| MECHANICAL TRAVEL          | mm | 59                              | 84   | 109  | 139  | 159  | 184  | 210  | 235  | 260  | 285  | 310  | 360  | 386  | 412  | 437  | 463  | 518  | 568  | 619  | 669  | 720  | 772  | 822  | 924  |
| RESOLUTION                 |    | Infinite                        |      |      |      |      |      |      |      |      |      |      |      |      |      |      |      |      |      |      |      |      |      |      |      |
| RECOMMENDED CURSOR CURRENT | A  | <1                              |      |      |      |      |      |      |      |      |      |      |      |      |      |      |      |      |      |      |      |      |      |      |      |
| TEMPERATURE RANGE          | °C | -30°C to 100°C (-22°F to 212°F) |      |      |      |      |      |      |      |      |      |      |      |      |      |      |      |      |      |      |      |      |      |      |      |
| DIMENSIONS (A)             | mm | 166                             | 191  | 216  | 246  | 266  | 291  | 318  | 343  | 368  | 393  | 419  | 484  | 509  | 534  | 561  | 609  | 673  | 723  | 799  | 849  | 899  | 983  | 1054 | 1175 |
| DIMENSIONS (C)             | mm | 223                             | 248  | 273  | 303  | 323  | 348  | 375  | 400  | 425  | 450  | 476  | 541  | 566  | 591  | 618  | 666  | 730  | 780  | 856  | 906  | 956  | 1040 | 1111 | 1231 |

### MLB - ORDER CODE

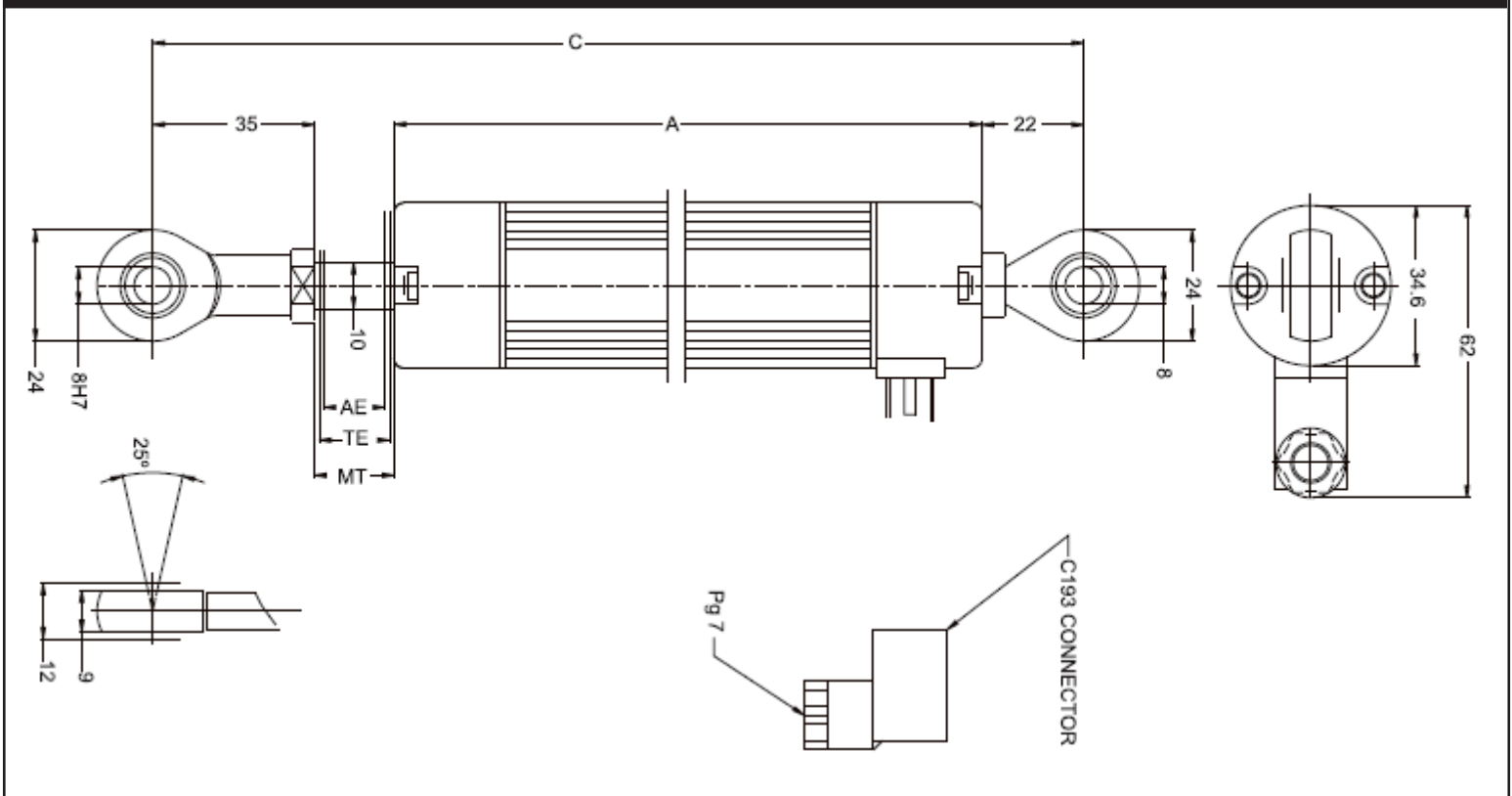
**MLB-XXX**

**LENGTH (mm)**

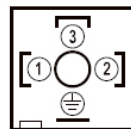
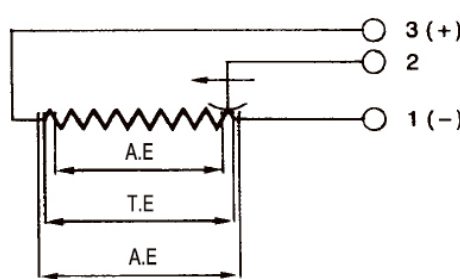
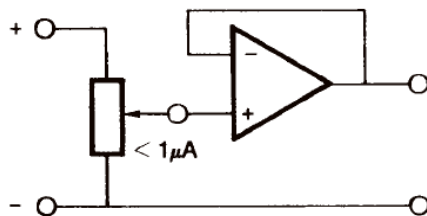
See Table Above

## MLB - ROD STYLE WITH BALL JOINTS

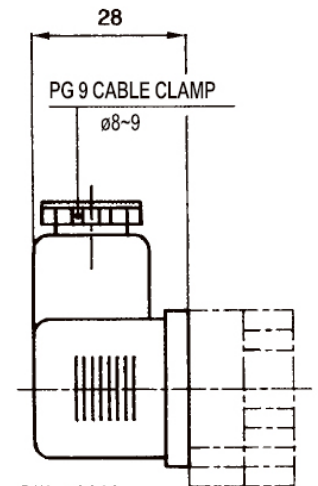
### DIMENSIONS



### ELECTRICAL



Connector Plug  
Pin Assignment



DIN 43650  
IP65-ISO4400

The published technical data are applicable only when the transducer is used correctly, and in accordance with the user manual/instructions. The MLR linear Position transducers must be used as voltage dividers with a maximum current in the wiper contact of  $1\mu A$ ; should the system require more current, further circuitry will be required.