

1 POLE SSR'S WITH INTEGRATED HEATSINKS

1 POLE SSR

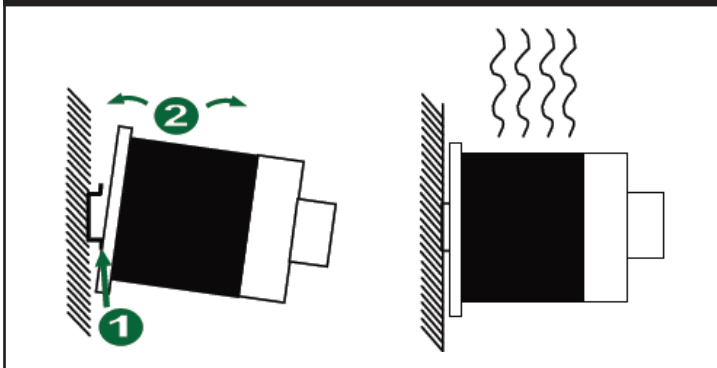


DESCRIPTION

This new range of solid state contactors presents an unique opportunity to maximize efficiency in panel space and is an evolution of solid state switches. The nominal current ratings are at 40°C. The smallest width is 17.5mm and is rated at 20 AAC. Power and control terminals allow for safe looping of cables. Voltage transient protection is

standard across the output with a varistor.

INSTALLATION



SSR 1 POLE - ORDER CODE

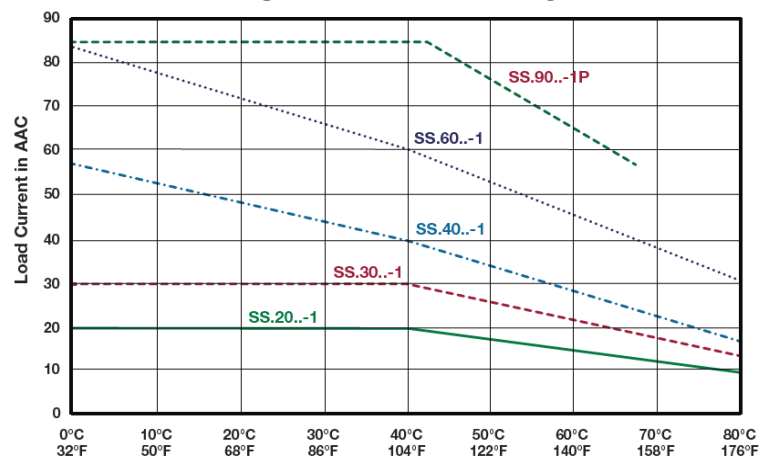
SSXX	-	X	-	X
RATED OPERATIONAL CURRENT		CONTROL VOLTAGE		CONNECTION CONFIGURATION
20 - 20 AMPS AC		D - 4-32VDC		U - SSR STYLE
30 - 30 AMPS AC		A - 20-275VAC/24-190VDC		E - CONTACTOR STYLE
40 - 40 AMPS AC				
60 - 60 AMPS AC				
90 - 90 AMPS AC				

STANDARD FEATURES

20, 30, 40, 60 & 85 AMP RELAYS WITH INTEGRATED HEATSINKS

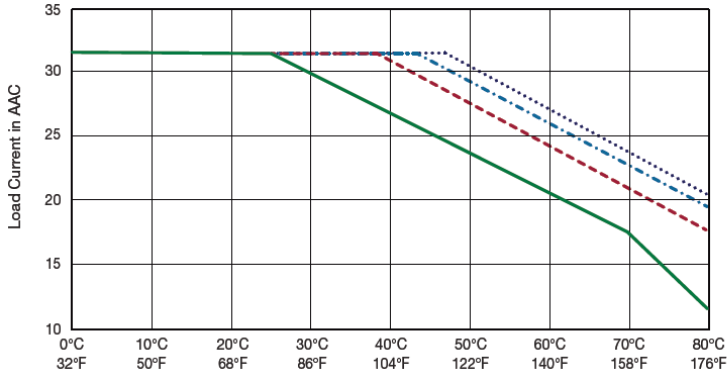
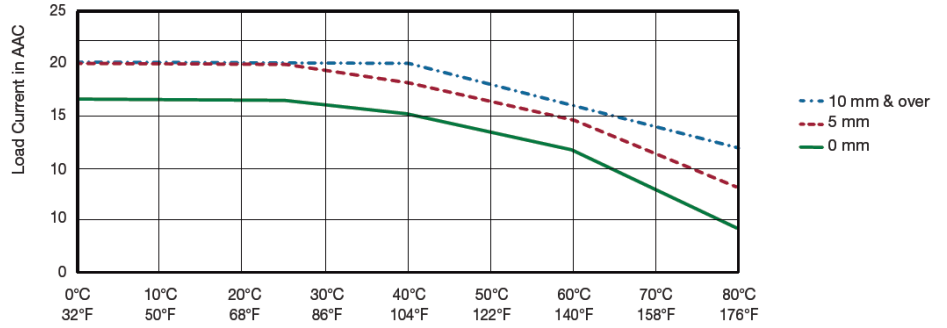
- PRODUCT WIDTH RANGING FROM 17.5 TO 70 mm
- RATED OPERATIONAL VOLTAGE: 42 TO 600 VAC
- RATED OPERATION CURRENT: UP TO 85 AAC @ 40°C
- CONTROL VOLTAGES: 5-32 VDC O(5-32 ON SS90D,-1)
20-275 VAC (24-190 VDC)
- LINE & LOAD ACCEPTS: 10-18 AWG (SS20 & SS30 UNITS)
3-10 AWG (SS40, SS60 & SS90 UNITS)
- SHORT CIRCUIT CURRENT RATING: 100kA
- LATCHING VOLTAGE ≤ 20 V
- OPERATIONAL FREQUENCY RANGE 45 - 65 Hz
- POWER FACTOR > 0.5 @ V RATED
- BLOCKING VOLTAGE 1200 Vp
- INTERNAL VARISTOR 625 V
- UL508 & cUL LISETED (E 354129)
- IP20 PROTECTION DESIGN
- DESIGN ACCORDING TO EN/IE60947-4-2, EN/IEC60947-4-3,
EN/IEC62314, UL508, CSA 22-2 No. 14-10
- INTEGRATED VOLTAGE TRANSIENT PROTECTION WITH VARISTOR
- CONTINUOUSLY ON GREEN LED WHEN CONTROL INPUT APPLIED
- ROHS COMPLIANT AND VDE APPROVAL
- U: SSR STLE
- E: CONTACTOR
- Germanischer Lloyd approval applicable only to models SS20A.-1, SS20D.-1, SS30A.-1 and SS30D.-1.

CURRENT DERATING

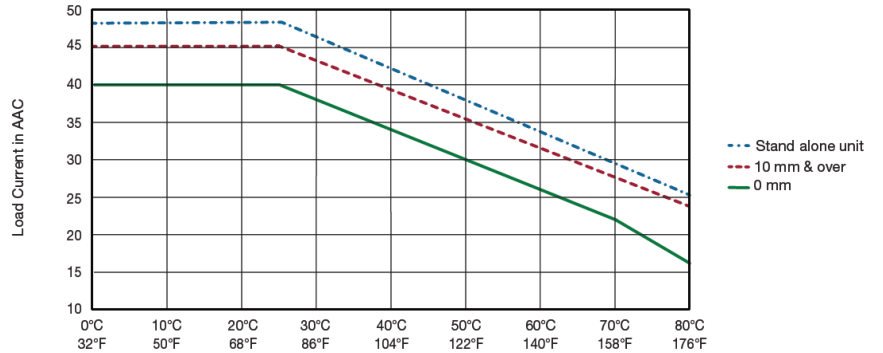


DERATING VS. SPACING CURVES

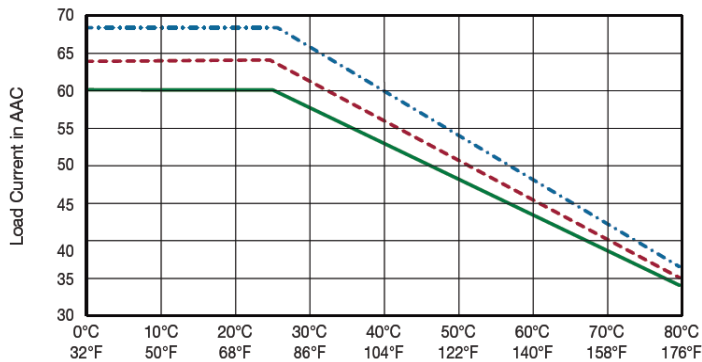
SS.20.U-1



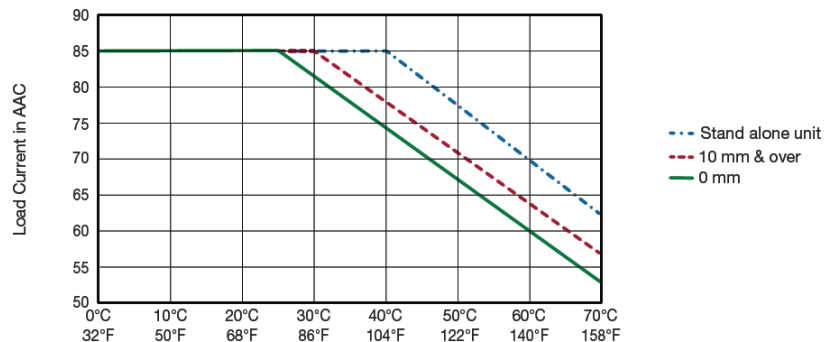
SS.30.U-1



SS.40.U-1



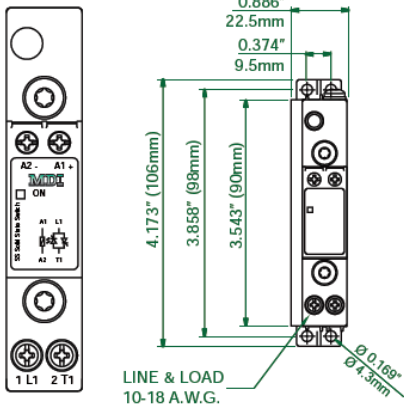
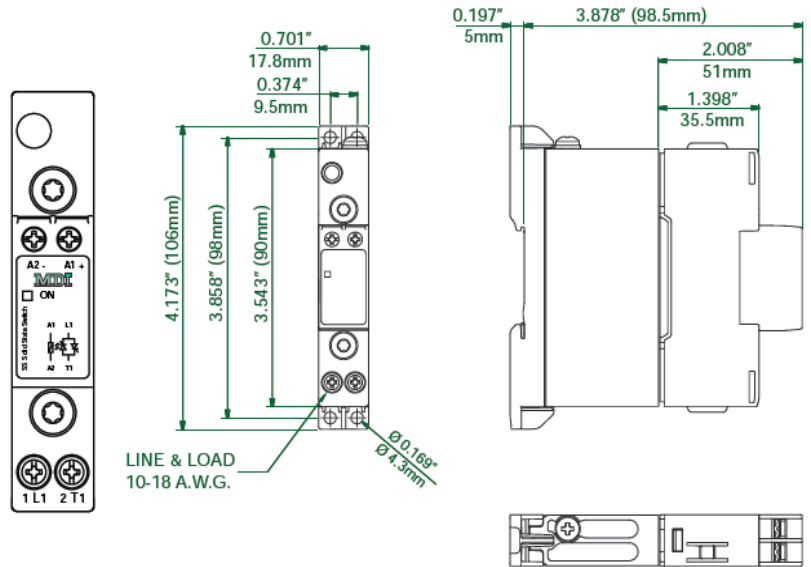
SS.60.U-1



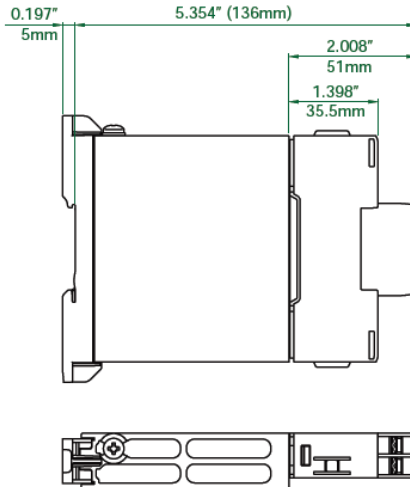
SS.90.U-1P

SSR-1 SERIES - TERMINAL LAYOUT AND DIMENSIONS "U" CONNECTION

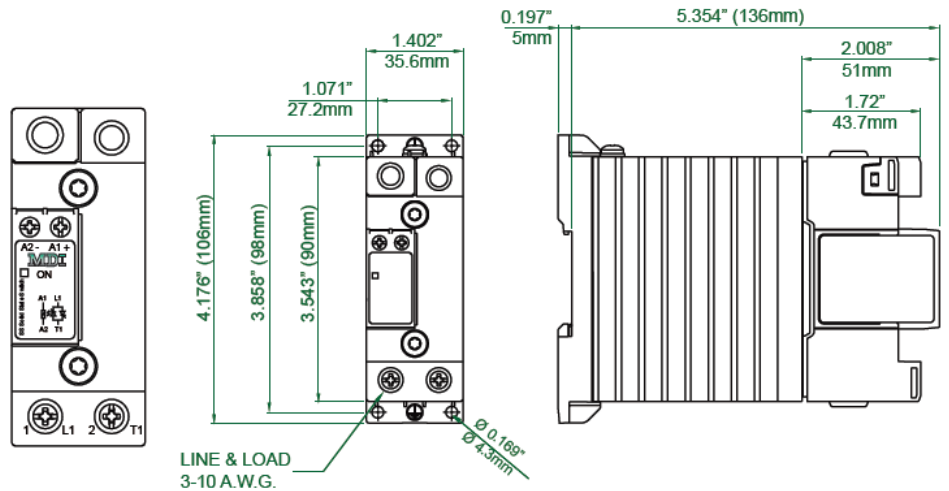
SS.20.U-1



SS.30.U-1

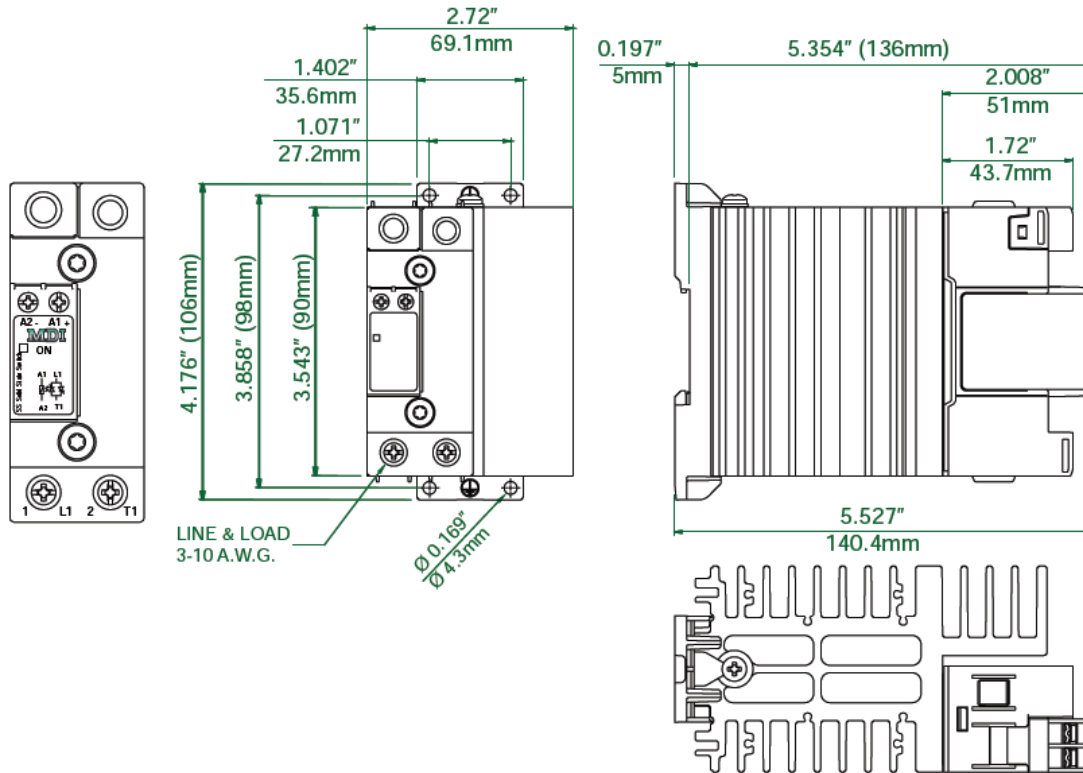


SS.40.U-1

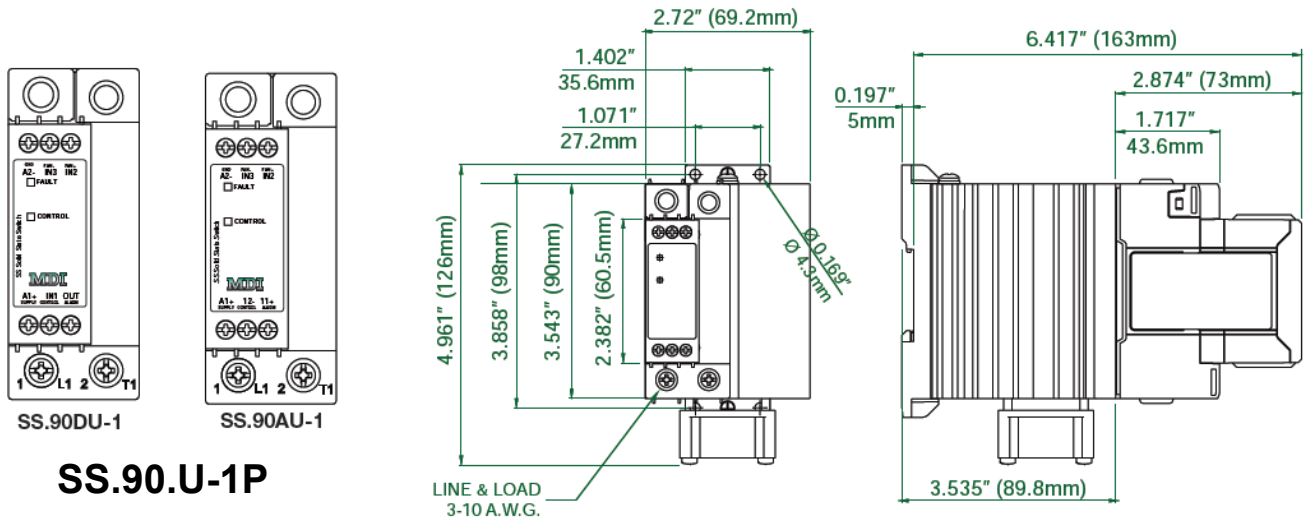


- 1/L1: Supply connection
- 2/T1: Load connection
- A1 (+): Positive control signal
- A2 (-): Control ground

SSR-1 SERIES - TERMINAL LAYOUT AND DIMENSIONS "U" CONNECTION



SS.60.U-1



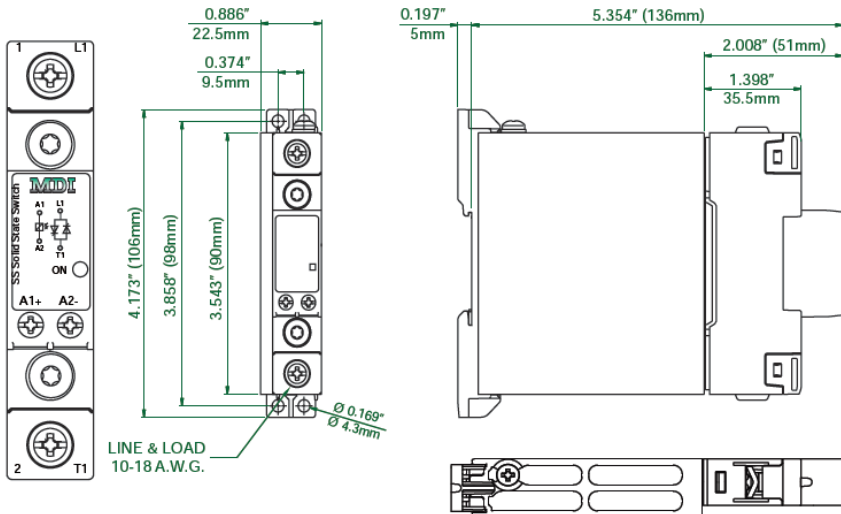
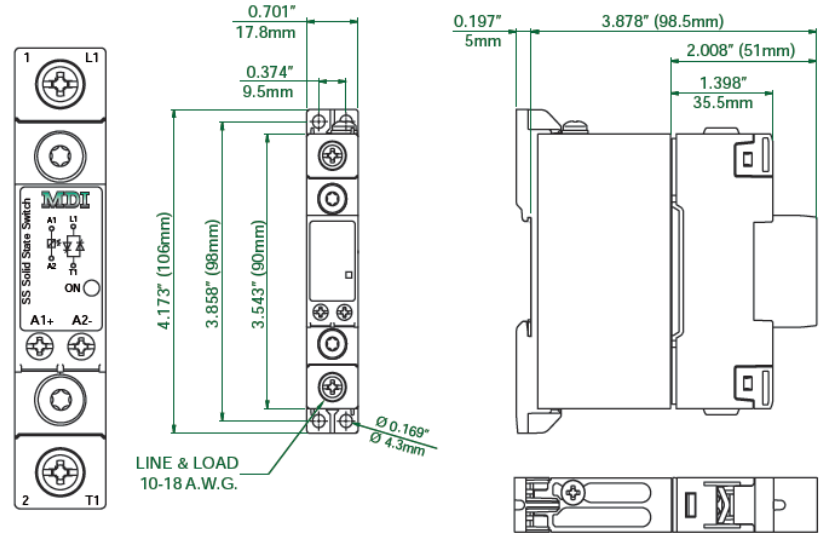
SS.90.U-1P

- 1/L1: Supply connection
- 2/T1: Load connection
- A1 (+): Positive control signal
(Positive supply in case of SS.90DU-1P)
- A2 (-): Control ground
- IN1: Control signal (only for SS.90DU-1P)
- IN2: Fan + supply (only for SS.90AU-1P)
- IN3: Fan - supply (only for SS.90AU-1P)
- 11 + : Alarm output (+)
- OUT, 12 - : Alarm output (-)

* Housing width tolerance +0.02" (0.5 mm), -0 as per DIN43880

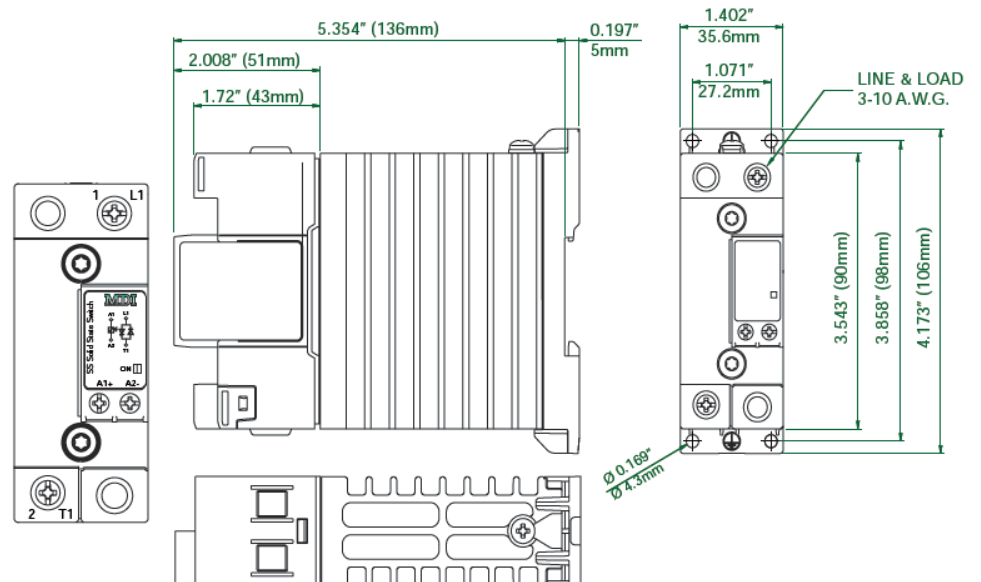
SSR-1 SERIES - TERMINAL LAYOUT AND DIMENSIONS "E" CONNECTION

SS.20.E-1



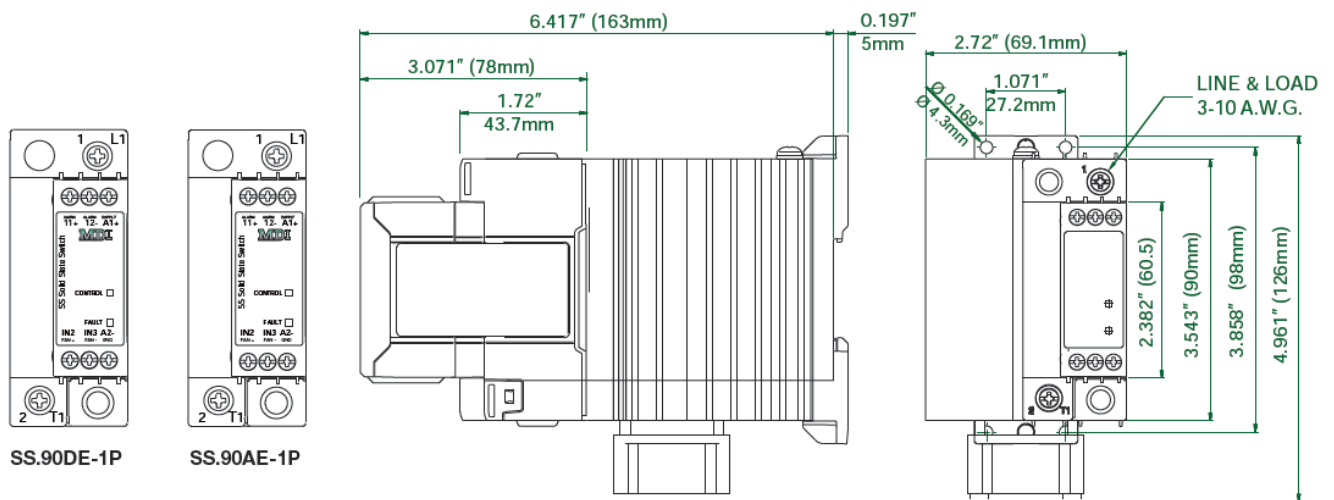
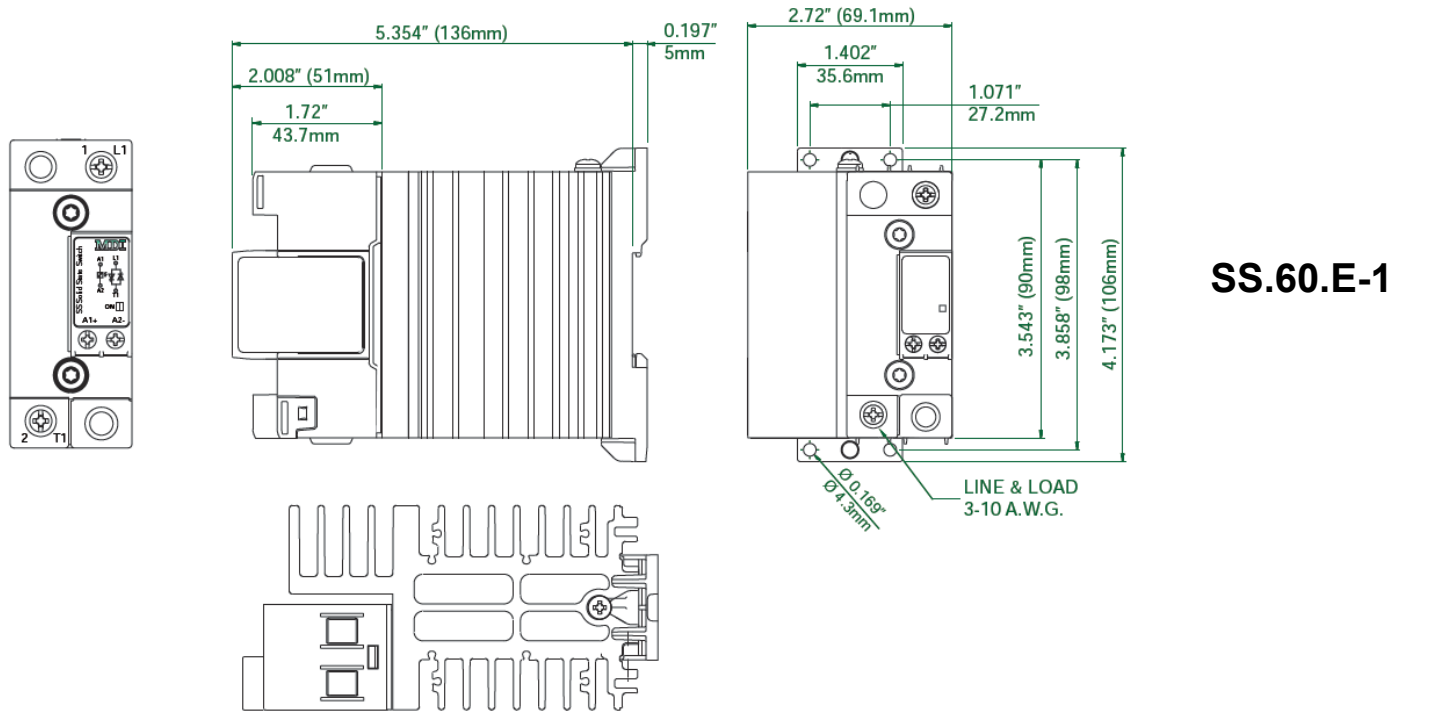
SS.30.E-1

SS.40.E-1



- 1/L1: Supply connection
- 2/T1: Load connection
- A1 (+): Positive control signal
- A2 (-): Control ground

SSR-1 SERIES - TERMINAL LAYOUT AND DIMENSIONS "E" CONNECTION



- 1/L1: Supply connection
- 2/T1: Load connection
- A1 (+): Positive control signal
(Positive supply in case of SS.90DU-1P)
- A2 (-): Control ground
- IN1: Control signal (only for SS.90DU-1P)
- IN2: Fan + supply (only for SS.90AU-1P)
- IN3: Fan - supply (only for SS.90AU-1P)
- 11 + : Alarm output (+)
- OUT, 12 - : Alarm output (-)

* Housing width tolerance +0.02" (0.5 mm), -0 as per DIN43880