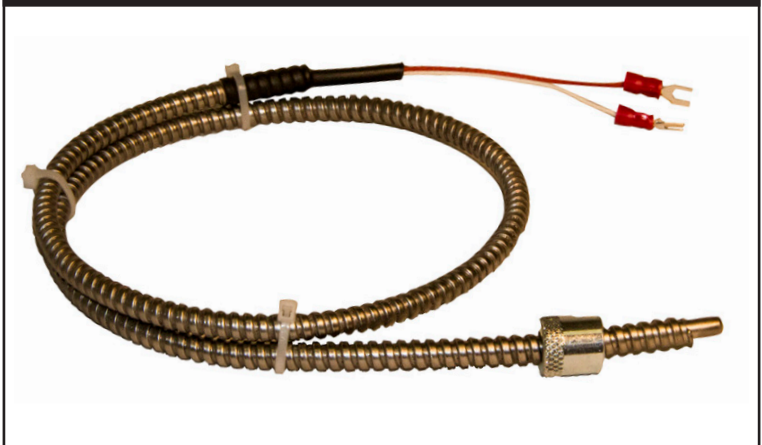


## A500/ A510 - ADJUSTABLE BAYONET THERMOCOUPLES + RTD's

### A500 STYLE - S/S BRAID



### A510 STYLE - S/S ARMOR



### STANDARD FEATURES

- 3/16" DIAMETER PROBE
- FITS STANDARD BAYONET ADAPTERS
- 12" SPRING
- GROUNDED SENSOR
- 24 AWG FIBERGLASS LEADS WITH STAINLESS STEEL BRAID (A500)
- STAINLESS STEEL HOSE (A510)
- STRIPPED LEADS
- NA STANDARD BAYONET CAP

### OPTIONS - A500/ A510

- THERMOCOUPLE TYPE OPTIONS
  - Type J    Type K
  - Type T    2 or 3 Wire RTD
- 48,72,96,120" ARMOR
- CUSTOM
- TERMINATION OPTIONS
- SEE NEXT PAGE
- UNGROUND
- 1/8" NPT X 7/8" L BAYONET ADAPTER
- M12 DOUBLE SLOT CAP
- M15 DOUBLE SLOT CAP
- SPECIAL OPTIONS AVAILBLE UPON REQUEST

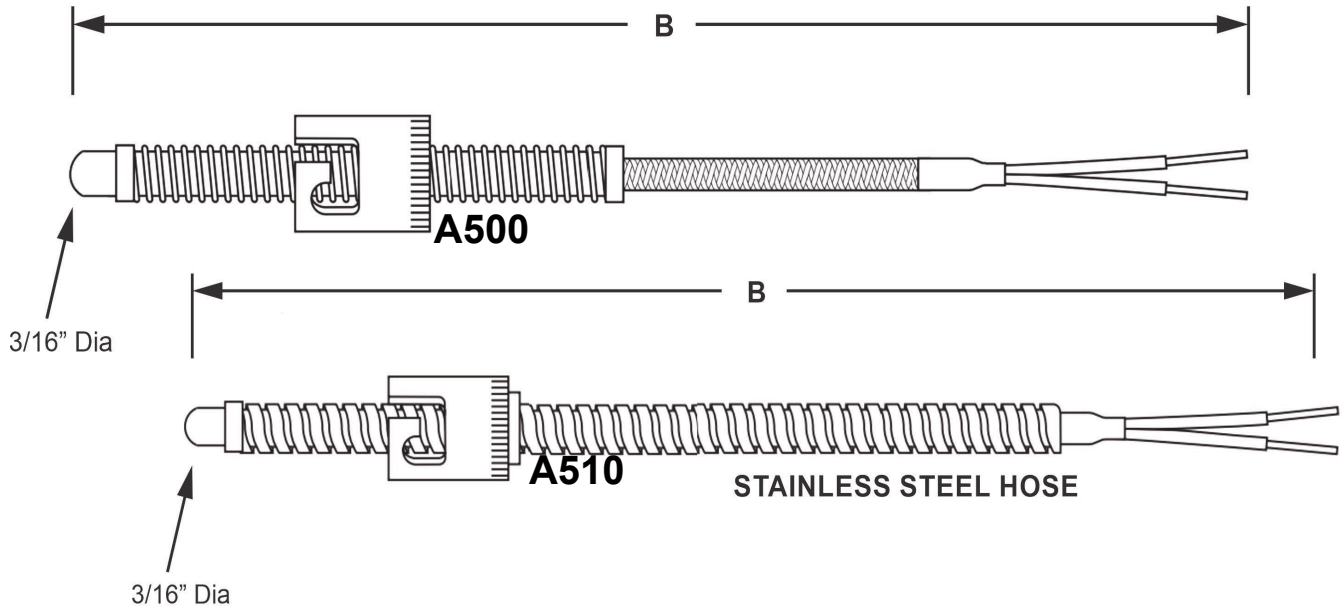
### STOCK - A500 (S/S BRAID)

TYPE	JUNCTION	Length (B)	PART# (c/w bare wire)	PART# (c/w male plug)
J	Grounded	36"	A500J-36-0	A500J-36-2
J	Grounded	48"	A500J-48-0	A500J-48-2
J	Grounded	72"	A500J-72-0	A500J-72-2
J	Grounded	96"	A500J-96-0	A500J-96-2
J	Grounded	120"	A500J-120-0	A500J-120-2
J	Grounded	144"	A500J-144-0	A500J-144-2
J	Grounded	180"	A500J-180-0	A500J-180-2
J	Grounded	240"	A500J-240-0	A500J-240-2

### STOCK - A510 (S/S HOSE)

TYPE	JUNCTION	Length (B)	PART# (c/w bare wire)	PART# (c/w male plug)
J	Grounded	36"	A510J-36-0	A510J-36-2
J	Grounded	48"	A510J-48-0	A510J-48-2
J	Grounded	72"	A510J-72-0	A510J-72-2
J	Grounded	96"	A510J-96-0	A510J-96-2
J	Grounded	120"	A510J-120-0	A510J-120-2
J	Grounded	144"	A510J-144-0	A510J-144-2
J	Grounded	180"	A510J-180-0	A510J-180-2
J	Grounded	240"	A510J-240-0	A510J-240-2

## A500/ A510 - DIMENSIONS

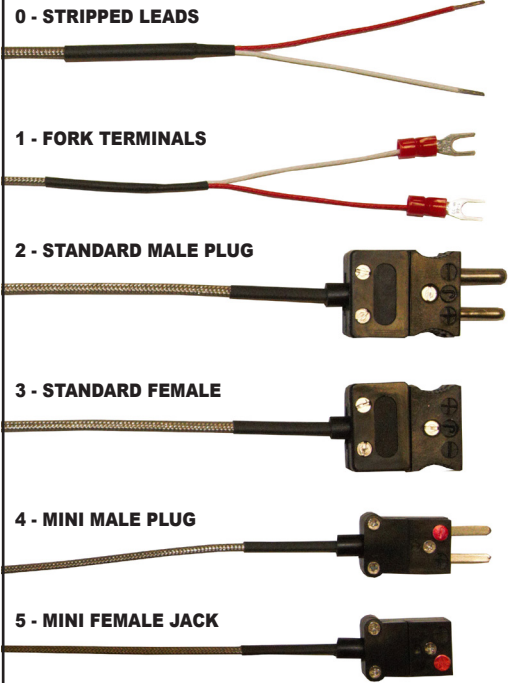


## BAYONET CAP SPECIFICATIONS



	NORTH AMERICAN STANDARD	M12	M15
ID	11.4mm	12.3mm	15mm
NUMBER OF SLOTS	1	2	2
PRODUCT CODE	-	M12	M15

## TERMINATIONS



## A500/ A510 - ORDER CODE

MODEL	TYPE	LENGTH	TERMINATION	OPTIONS
<b>500</b> - S/S BRAID	<b>J</b> - TYPE J	<b>48</b> - 48"	<b>0</b> - STRIPPED LEADS	<b>U</b> - UNGROUNDED
<b>510</b> - S/S HOSE	<b>K</b> - TYPE K	<b>72</b> - 72"	<b>1</b> - FORK TERMINALS	<b>B</b> - 1/8" NPT X 7/8" L BAYONET ADAPTER
	<b>RTD</b> - PT100	<b>96</b> - 96"	<b>2</b> - STANDARD MALE PLUG	<b>M12</b> - M12 DOUBLE SLOT CAP
		<b>120</b> - 120"	<b>3</b> - STANDARD FEMALE JACK	<b>M15</b> - M15 DOUBLE SLOT CAP
		<b>X</b> - CUSTOM LENGTH	<b>4</b> - MINI MALE PLUG	<b>X</b> - SPECIAL
			<b>5</b> - MINI FEMALE JACK	