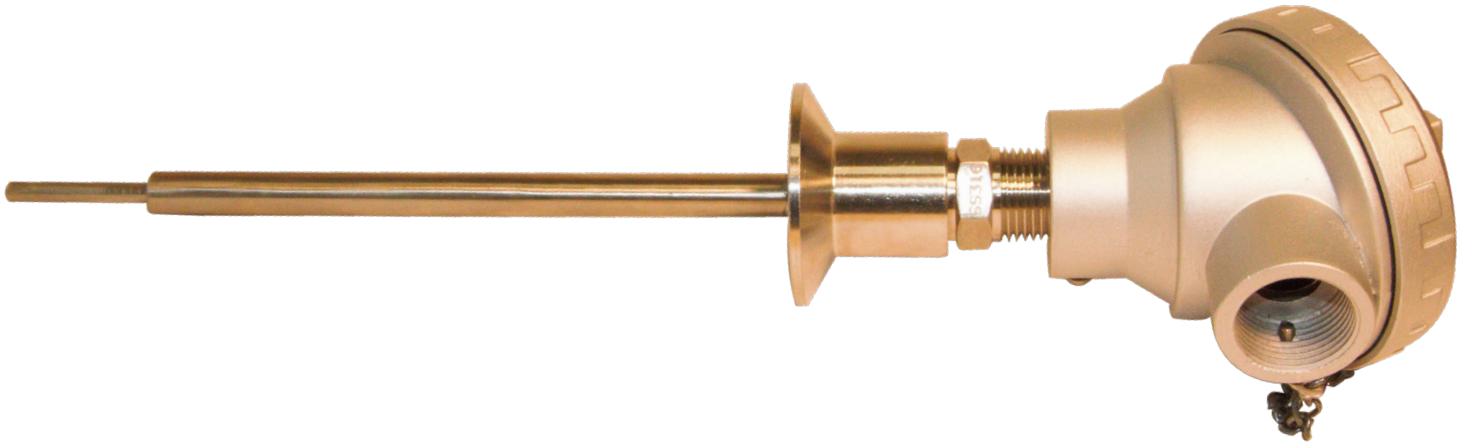


A4945 -CIP SANITARY REDUCED TIP RTD'S

A4945 - REDUCED TIP STYLE



SANITARY TRI-CLAMP

Sanitary thermowells are most used in Dairy, Pharmaceutical, and Food Processing industries. They allow the removal of a thermocouple without dropping the pressure or losing contents. The Triclamp series allows for easy cleaning in order to prevent contamination in the process.

Reduced Tip Style:

Allows faster response time

MPI sanitary thermowell's are used when pressure, high velocity and corrosive media are present in the process. The thermowell isolates the sensor from the process, allowing for removal and replacement of the sensor without shutting down the process.

Reduced Tip Style for Faster response time compared to A4940

STANDARD TERMINAL BLOCK

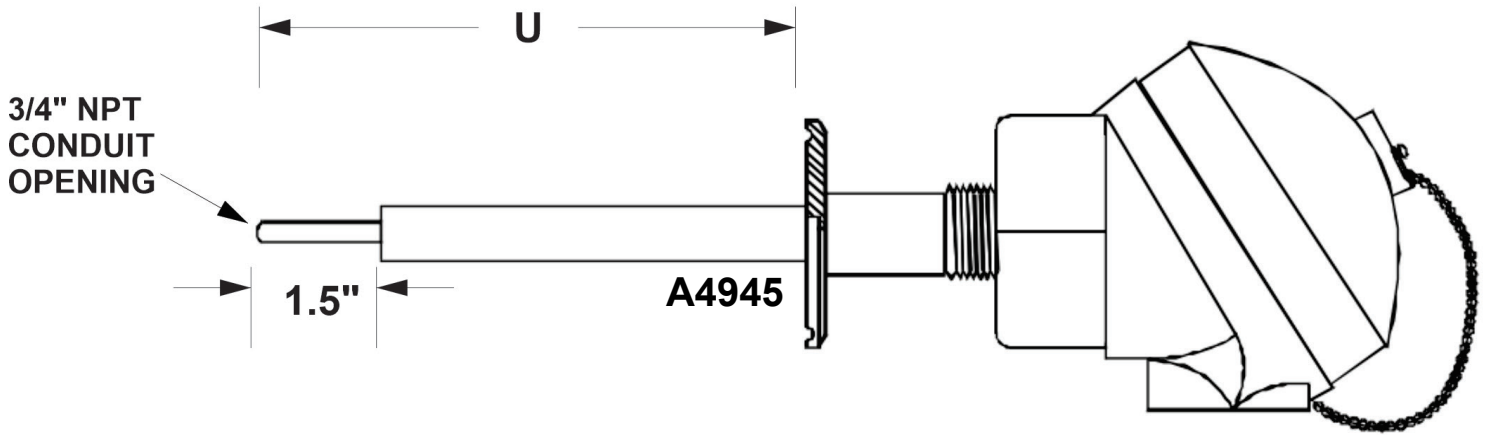


T - TRANSMITTER (RANGE)

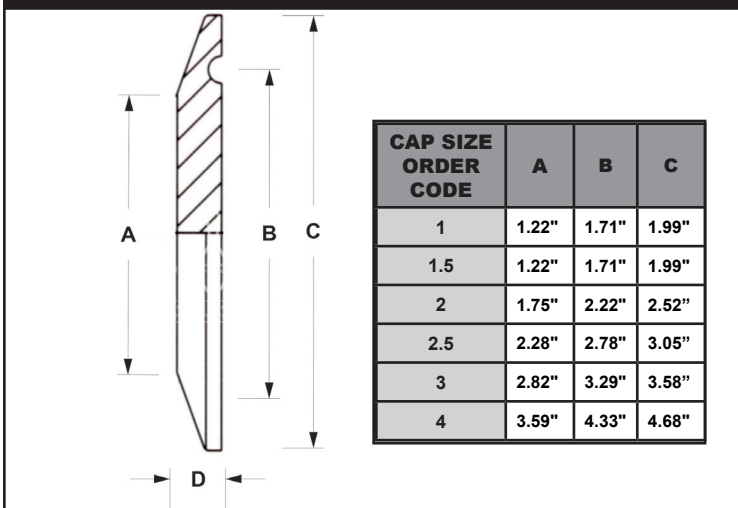


**WE CAN PROGRAM
THE TRANSMITTER
**SPECIFY OUTPUT
WHEN ORDERING****

A4945 - DIMENSIONS



CAP SIZES



A4995 - OPTIONS

OPTION CODE	DESCRIPTION
SPRING LOADED	SENSING ELEMENT IS SPRING LOADED WITHIN THERMOWELL. INCREASED RESPONSE TIME, INCREASE ACCURACY.
NIST TRACEABLE	PRODUCT WILL BE CERTIFIED BY NATIONAL INSTITUTE OF STANDARDS AND TECHNOLOGY (NIST)
300 PSI FLANGE	FLANGE HAS A PRESSURE RATING OF 300PSI
600 PSI FLANGE	FLANGE HAS A PRESSURE RATING OF 600PSI

A4945 - ORDER CODE

A4945XX - U - X - X - X - X - X

TYPE

- J - TYPE J
- JJ - DUPLEX TYPE J
- K - TYPE K
- KK - DUPLEX TYPE K
- T - TYPE T
- TT - DUPLEX TYPE T
- RTD - PT100(200°C)
- RTDD - DUPLEX PT100(200°C)
- RT4 - PT100(400°C)
- RT44 - DUPLEX PT100(400°C)

STEM LENGTH

- 4 - 4" (101mm)
- 6 - 6" (152mm)
- 8 - 8" (203mm)
- 10 - 10" (254mm)
- X - CUSTOM

STEM MATERIAL JUNCTION

- ST - STEEL
- S - 304SS
- S6 - 316SS
- I600 - INCONEL 600
- I800 - INCOLOY 800
- E - EXPOSED
- G - GROUNDED
- U - UNGROUNDED
- 3 - 3-WIRE
- 4 - 4-WIRE

HEAD MATERIAL

- I - CAST IRON
- AL - LARGE CAST ALUMINUM
- AS - SMALL CAST ALUMINUM
- PL - PLASTIC
- ALE - CAST ALUMINUM EXPLOSION
- FDA - FDA COMPLIANT PLASTIC
- E - EPOXY COATED ALUMINUM
- FDAF - FDA COMPLIANT FLIP TOP

CAP SIZE

- 1.5 - 1.5" (38mm)
- 2 - 2" (51mm)
- 3 - 3" (76.2mm)
- 4 - 4" (101.6mm)

OPTIONS

- T - TRANSMITTER (RANGE)
- S - SPRING LOADED
- U - SEPERATE UNION & NIPPLE
- N - NO TERMINAL BLOCK TRANSMITTER READY
- C - NIST TRACEABLE
- 3 - 300 PSI FLANGE
- 6 - 600 PSI FLANGE